

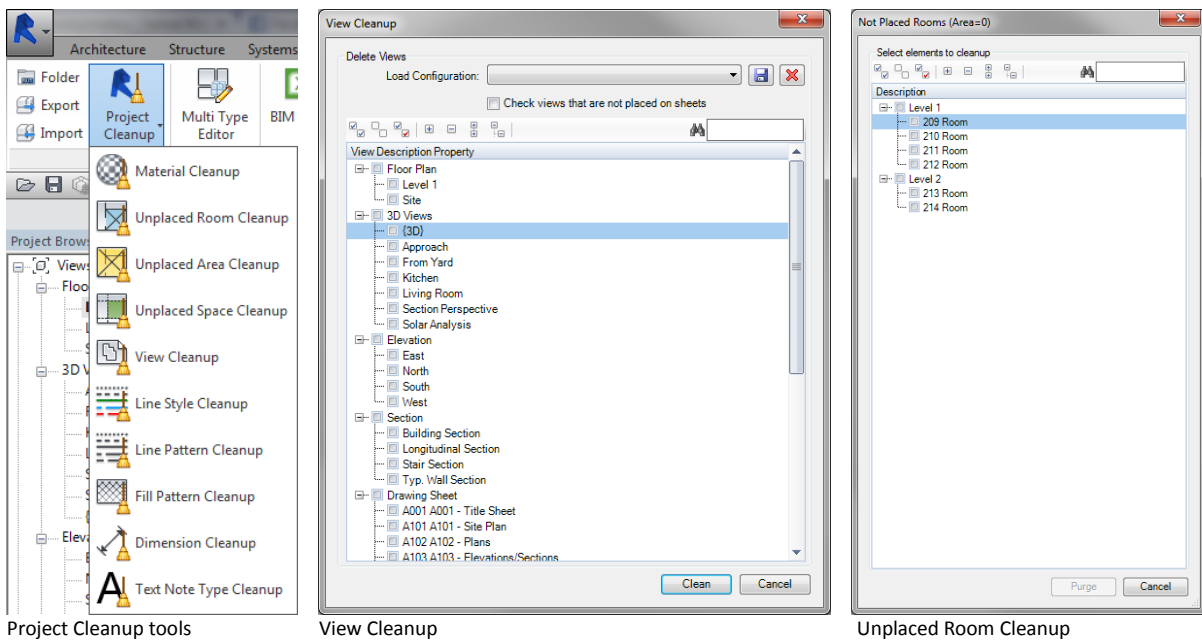
CGS Revit Tools 2015

New tools in version 2015

BIM Manager

Project Cleanup tools

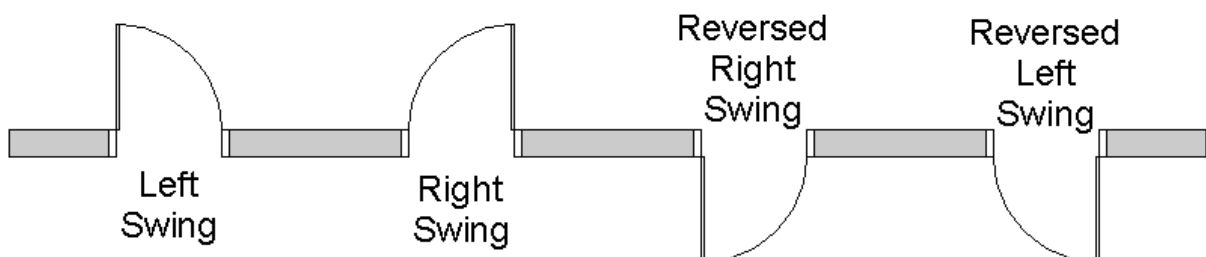
This set of tools present a number of tools to selectively delete line styles, rooms, spaces, views etc. from the project. With tools the project is more organized and light weighted for further use.

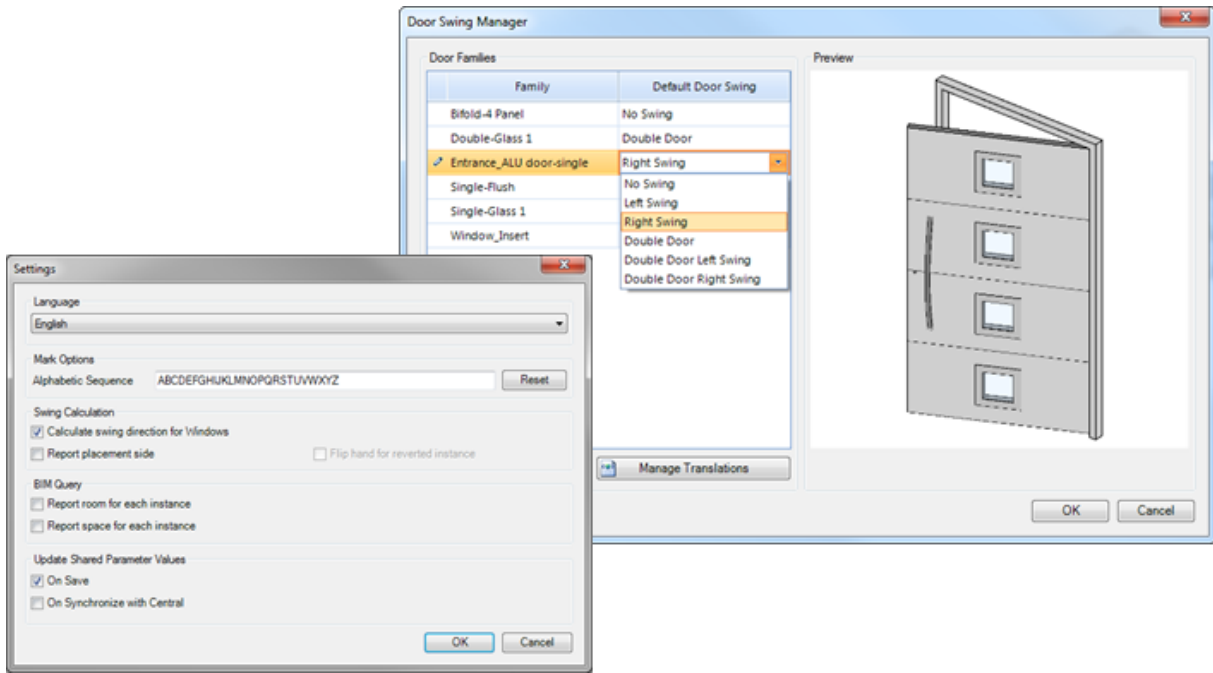


Analysis

Swing Direction

The Swing Direction allows user to define swing orientation for doors and windows (one-wing left, one-wing right, double door...). This tool was available already in 2014 version, but now with added functionality to choose the option in settings, which calculates placement side for each instance (left swing, reversed left swing...). Information can still be used in legends and schedules. By changing the position and direction of the door swing in the model, the legend or schedule is automatically updated.

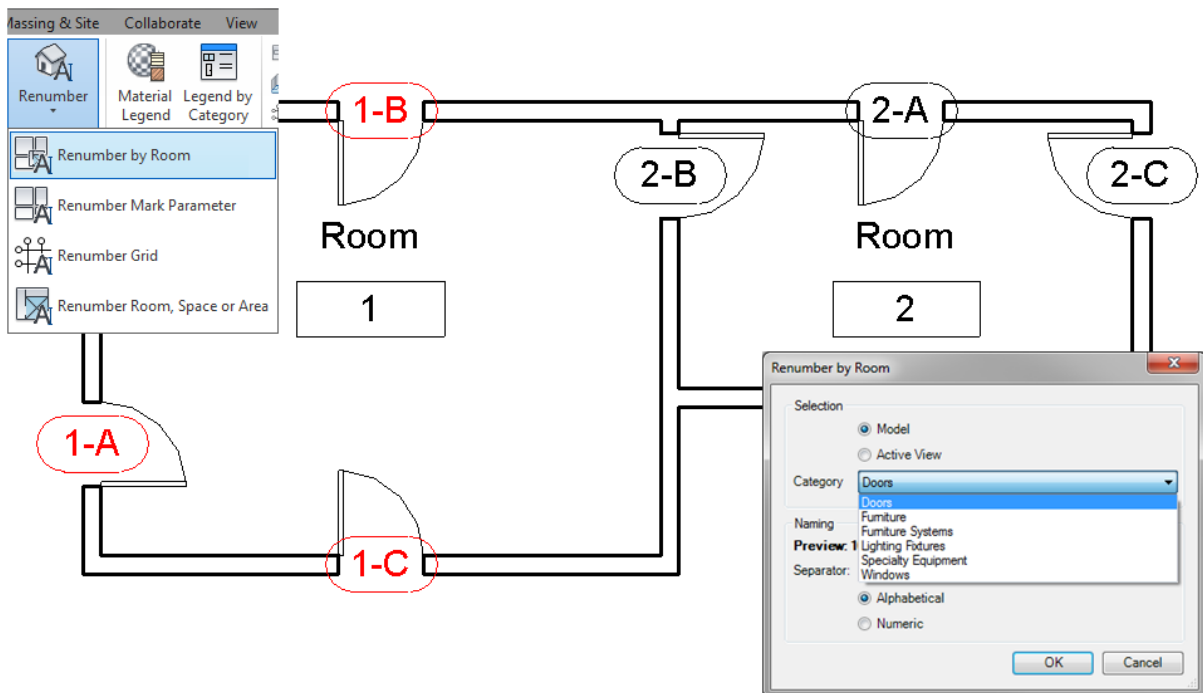




Annotate

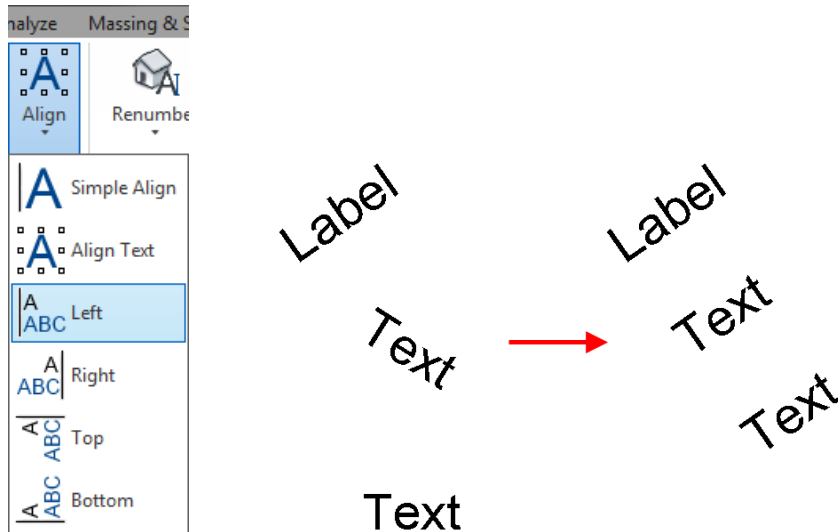
Renumber tools

Set of tools for renumbering was added in new version. Set includes tools to manually or automatically renumber mark parameters for instances (Door, Window, Furniture...), tools to renumber number parameter in Rooms, Spaces or Areas and to renumber picked grids according to chosen settings in the model.



Interactive Text Align tools

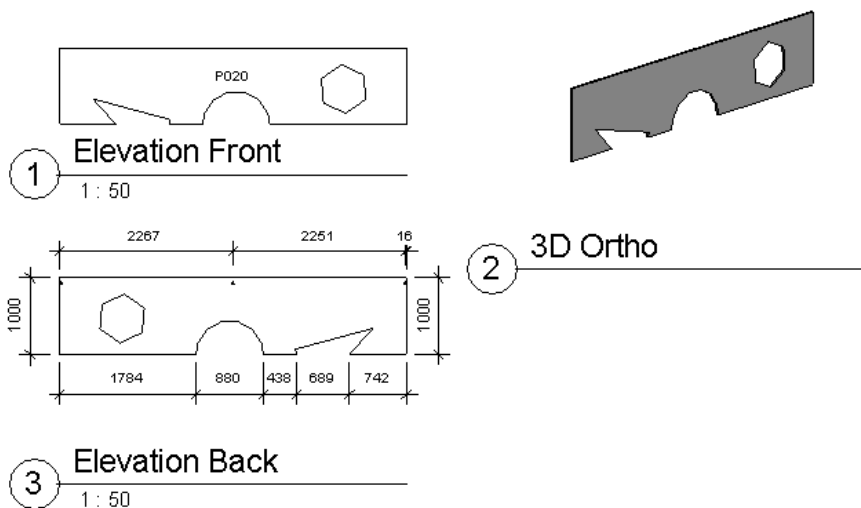
Tools Left, Right, Top, and Bottom can be used to aligning Text Notes or Labels based on selection (it is possible to align on other Text Note or Label).



Modify

Create assembly

This tool automatically creates assemblies from selected instances (Structural Column, Structural Foundation, Structural Framing, Furniture, Generic Model, Curtain Panel, Wall or Wall Part).



View

ON/OFF toggle

Tool Curtain Wall Mullion was added in version 2015 in Quick On/Off Toggle tools. Tool toggle curtain wall mullion category ON or OFF in active view.

Other

Besides adding new tools in version 2015.1 of CGS Revit Tools we also enhanced a number of existing tools and fixed a few reported bugs.

Below is the list of tools that has been improved or fixed:

UPDATED:	FIXED:
BIM Query	BIM Query
Swing Direction	View Cleanup
Multi Join	View/Sheet Manger
View/Sheet Manger	
Room Views	
Toggle tools	
Zoom to tools	
Resize section box	
Added features in Settings	

More about new features is available on <http://usa.cgsplus.com/>.